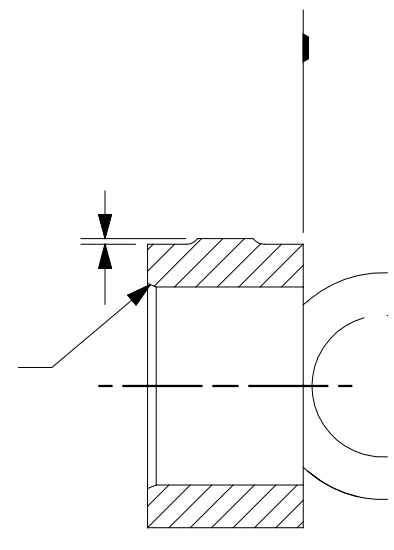
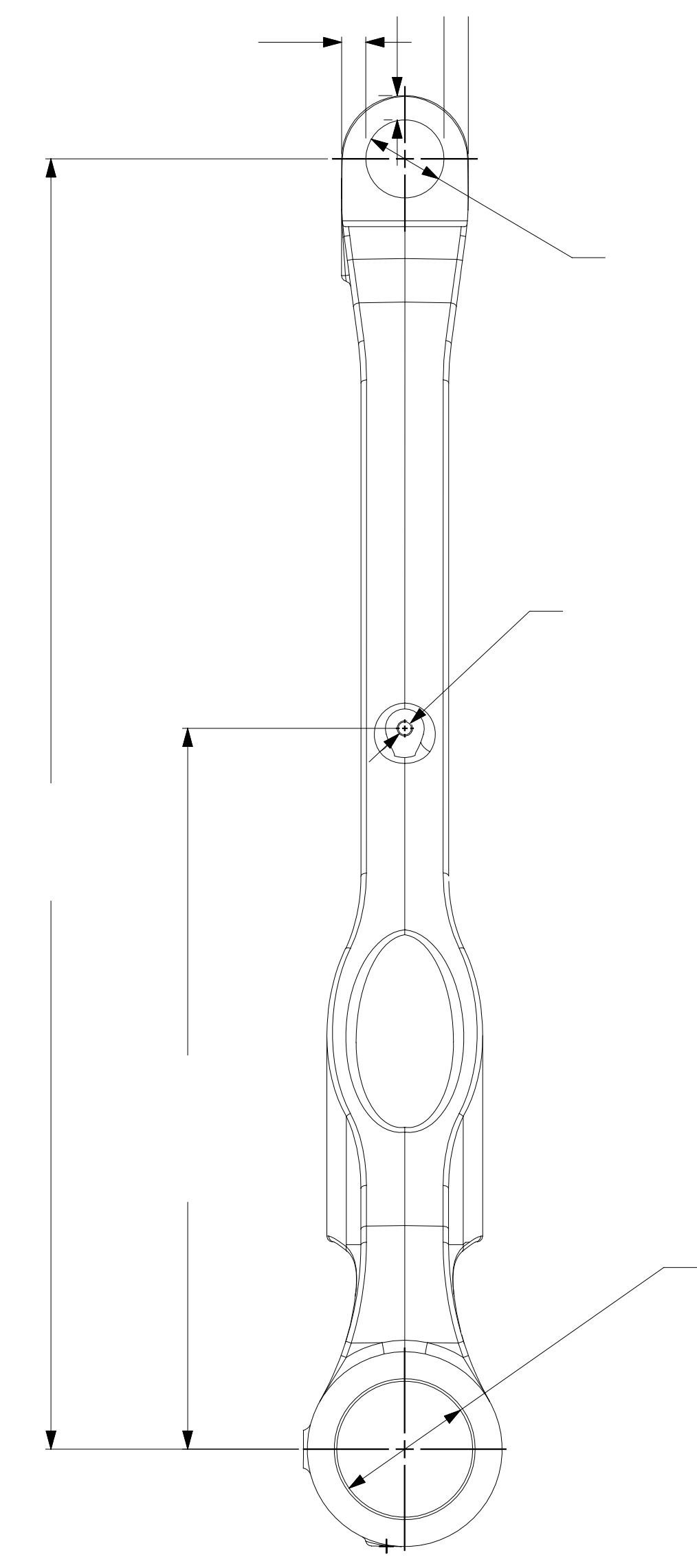
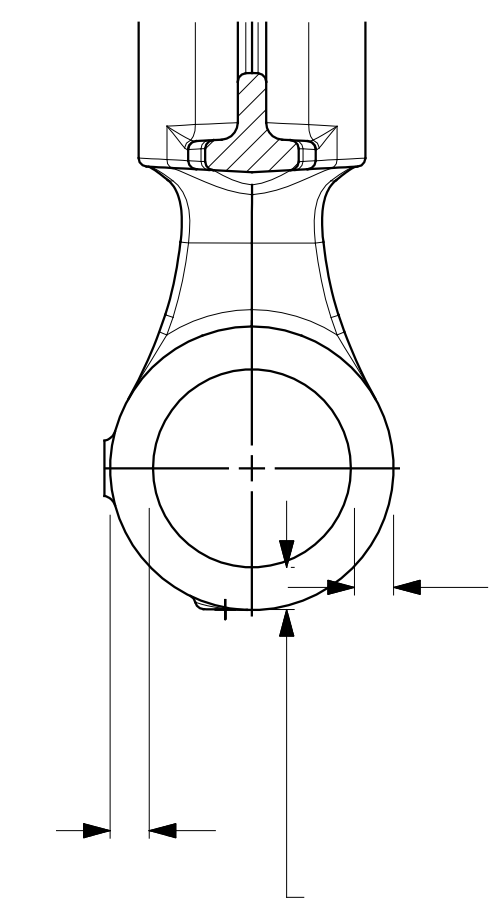
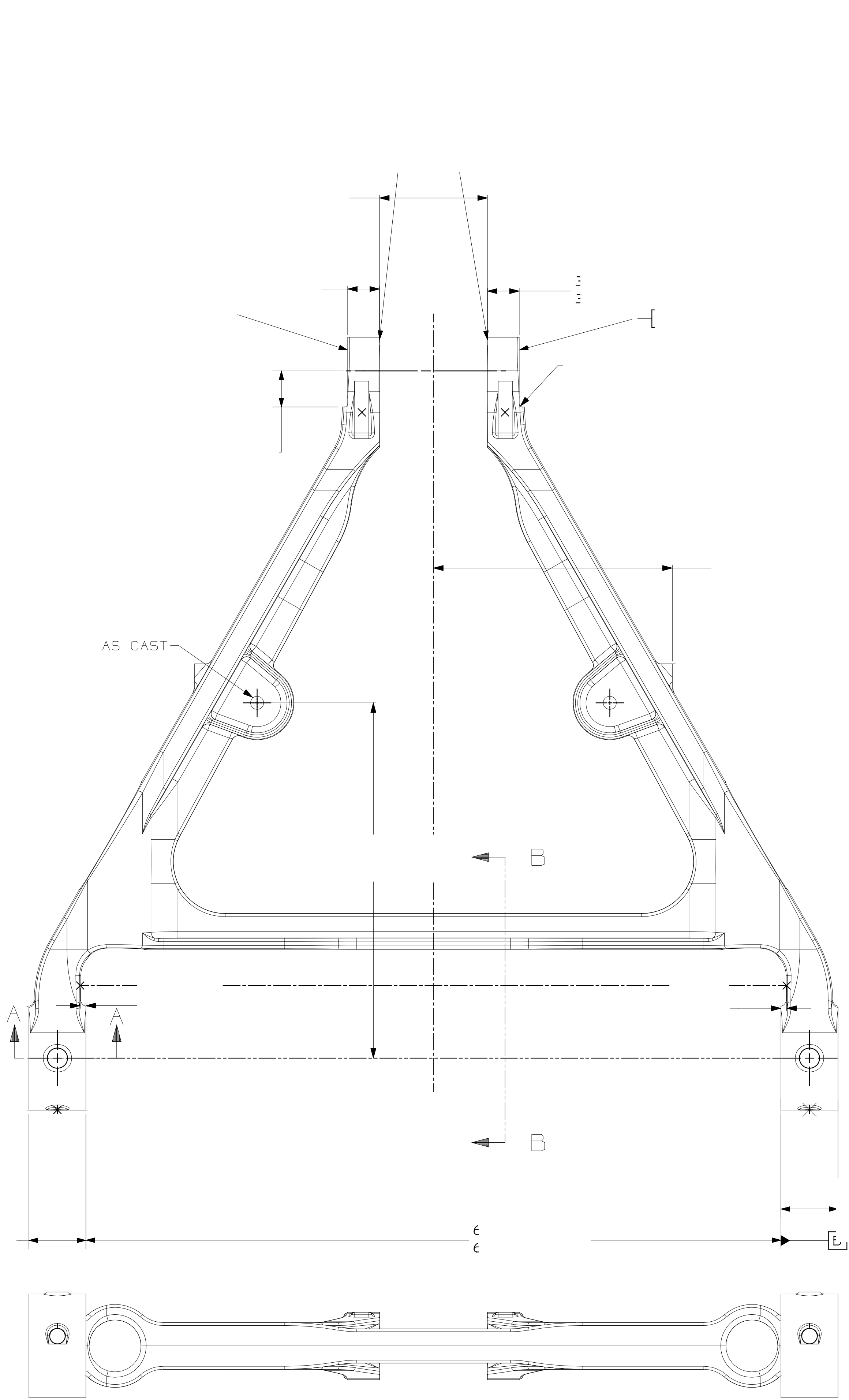


11 10 9 8 7 6 5 4 3 2 1

G
F
E
D
C
B
A

G
F
E
D
C
B
A



CAD	UPDATE ON CAD SYSTEM ONLY	METRIC	
DRAWN BY	DATE	MAKE FROM	CUSTOMER

LOWER CONTROL ARM
MACHINING

NO. 068358-000

SHEET NO.
DWG. SIZE
D

11 10 9 8 7 6 5 4 3 2 1